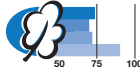


**Fuseholder
Type FIZ**

front side,
fixing nut fastening
shocksafe category PC2
for high currents



0031.2201/03



- screw type fuse carrier, slotted
- solder-/quick-connect terminals 6,3 x 0,8 mm
- degree of protection IP40 or IP67 from frontside, according to IEC 60529
- suitable for equipment with protection classes I and II according to IEC 60536

Technical data

- Rated voltage: 250 V
- Rated current: 16 A
- Rated power acceptance at ambient air temperature T_a 23 °C: 4 W
- Power acceptance at higher T_a : see derating curves
- Take note of the information on pages 215–219
- Allowable ambient air temperatures T_a for accessible parts: -40 °C to +85 °C
- Contact resistance: 3,5 mΩ
- Dielectric strength: > 4 kV, 50 Hz, 1 Min.*
- Insulation resistance (500 V DC/1 Min): > 10³ MΩ
- Torque/Fixing nut: max. 1,2 Nm
- Materials
socket: thermoset, UL 94 V-0
fuse carrier: thermoset, UL 94-HB

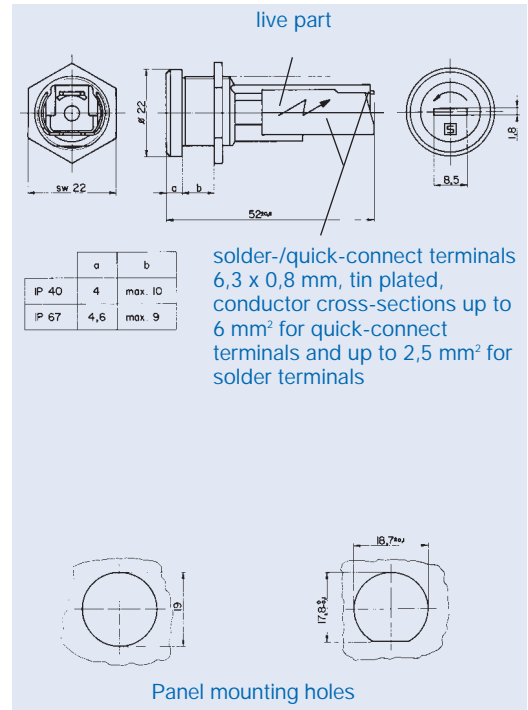
* between metal mounting plate and live parts

Standards

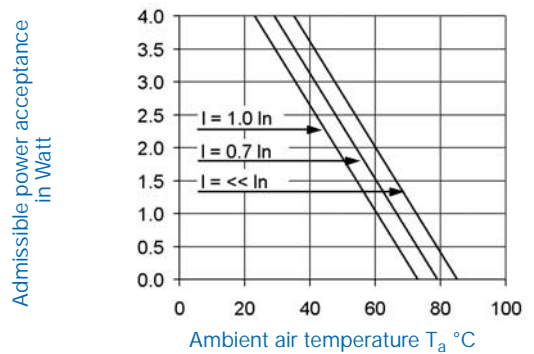
IEC 60127-6 (formerly IEC 257),
EN 60127-6 (formerly EN 60257),
UL 512, CSA C22.2-39

Approvals, Patents

SEV	(16 A/250 V)	UL	(30 A/250 V)
VDE	(16 A/250 V)	CSA	(30 A/250 V)
SEMKO	(16 A/250 V)		



Derating curve



Order No.		Fuse carrier	to fuseholder	Degree of protection
0031.2201	Fuseholder complete, black	slotted		IP 67
0031.2203	Fuseholder complete, black	slotted		IP 40
0031.2220	Fuse carrier, screw type, black	slotted	0031.2201	IP 67
0031.2221	Fuse carrier, screw type, black	slotted	0031.2203	IP 40

Accessories see page 183